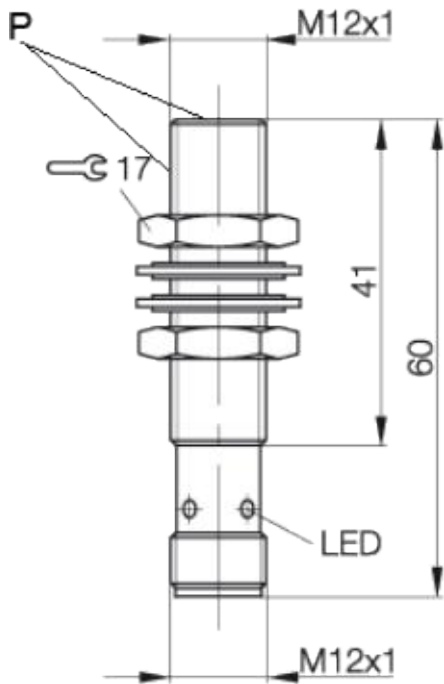


Inductive Sensors
BES M12EG1-PSC60Z-S04G-S11
M12x1 x 60
normally-open
Sn=6mm
quasi shielded
Pressure resistance in "P" area 80bar



PX2237

Common Data

Product name	Steelface
Mounting in steel	quasi shielded
Rated operating distance Sn	6mm
Assured operating distance Sa	0...4.8mm
Repeatability R	≤ 5%
Hysteresis	≤15%
Function indication	yes
Ambient temperature range	-25...+70°C
Polution Degree	3
Time delay before availability	≤ 60ms
Particular characteristics	Pressure resistance in "P" area 80bar

Mechanical Data

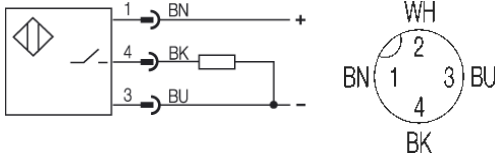
Measurements BxHxT or DxT	M12x1 x 60mm
Housing material	1.4305
Material of sensing face	1.4305
Degree of protection	IP67IP
Connection	Connector S4 (M12)
Schock: Halbsinus, 30 gn, 11ms	
Vibration: 55 Hz, 1mm Amplitude, 3 x 30 Minutes	

Electrical Data

Current type	DC
Wiring	3-Draht
switching function	normally-open
Output signal	PNP
Rated operational voltage	24 DCV
Rated operational current	200mA
Supply voltage	10...30 DCV
Ripple	≤15%
max. switching frequency	400Hz
No-load supply current	≤ 16/≤ 9mA
Off-state current	≤ 100µA
Voltage drop	≤ 2.0/-V
Short circuit protection	yes
Protected against polarity reversal	yes

Remarks

LED blinks in the range between 100% und approx. 70% from Sr
 When mounting in metals, the switching distance may be reduced up to 50%.
 Only mounting clamps without positive stop are permitted.
 See installation notes 841020 !



Utilization categories
 Insulation class

DC 13

Datasheet number:

Definitions see general catalog.
 If not otherwise noted, ratings according to IEC 60947-5-2 (DIN EN60947-5-2)

Balluff GmbH
 Schurwaldstrasse 9
 73765 Neuhausen a.d.F.
 Phone (07158) 173-0 Fax (07158) 5010

Datenblatt by CD-ROM - 04/2007

